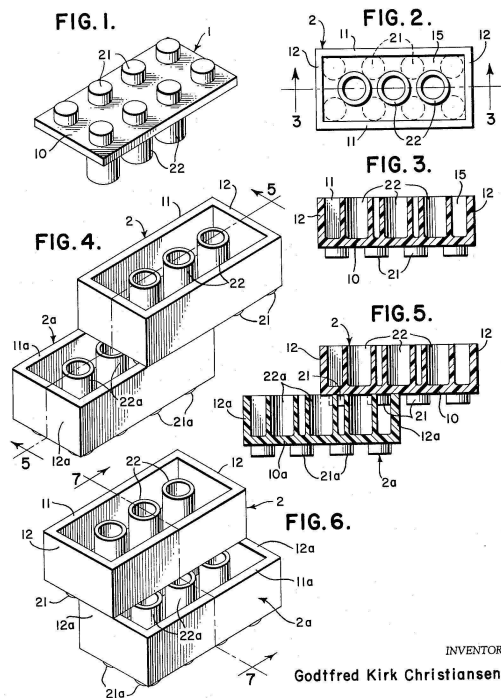


# Claiborne Patent Law Services

Oct. 24, 1961  
Filed July 28, 1958  
G. K. CHRISTIANSEN  
TOY BUILDING BRICK  
3,005,282  
2 Sheets-Sheet 1



INVENTOR  
Godtfred Kirk Christiansen  
BY  
*S. Stevens, Davis, Miller & Parker*  
ATTORNEYS

## LEGOs

In 1932, master carpenter Ole Kirk Christiansen established a small business in the village of Billund, Denmark, manufacturing stepladders, ironing boards and wooden toys. Two years later, focusing on the toys, he named the business LEGO, from the Danish "LEg GOdt" for "play well".

An early adopter of plastic injection molding, LEGO developed its Automatic Binding Bricks in the 1950s, the now familiar plastic interlocking LEGO blocks patented in the United States in 1961. The bricks enabled the "LEGO System of Play", originally comprising 28 sets and 8 vehicles with extra parts available. This revolutionary new approach to toys allowed the owner to expand and create without a strict set of guidelines to follow, fostering creativity.

In the years since their introduction, LEGOs have been enormously successful. Today, approximately 20 billion LEGO pieces are manufactured each year and LEGOs have fostered the creativity of more than 300 million children. Indeed, there are few inventors alive today who have not played with LEGOs at one time or another.

# October 2011

## Monthly Planner

Sunday	Monday	Tuesday	Wednesday	Thursday	Friday	Saturday																																																																																				
<div style="display: flex; justify-content: space-around; align-items: center;"> <table border="1" style="border-radius: 10px; padding: 5px;"> <caption style="text-align: center;">Sep 2005</caption> <thead> <tr><th>S</th><th>M</th><th>T</th><th>W</th><th>T</th><th>F</th><th>S</th></tr> </thead> <tbody> <tr><td></td><td></td><td></td><td></td><td>1</td><td>2</td><td>3</td></tr> <tr><td>4</td><td>5</td><td>6</td><td>7</td><td>8</td><td>9</td><td>10</td></tr> <tr><td>11</td><td>12</td><td>13</td><td>14</td><td>15</td><td>16</td><td>17</td></tr> <tr><td>18</td><td>19</td><td>20</td><td>21</td><td>22</td><td>23</td><td>24</td></tr> <tr><td>25</td><td>26</td><td>27</td><td>28</td><td>29</td><td>30</td><td></td></tr> </tbody> </table> <table border="1" style="border-radius: 10px; padding: 5px;"> <caption style="text-align: center;">Nov 2005</caption> <thead> <tr><th>S</th><th>M</th><th>T</th><th>W</th><th>T</th><th>F</th><th>S</th></tr> </thead> <tbody> <tr><td></td><td></td><td>1</td><td>2</td><td>3</td><td>4</td><td>5</td></tr> <tr><td>6</td><td>7</td><td>8</td><td>9</td><td>10</td><td>11</td><td>12</td></tr> <tr><td>13</td><td>14</td><td>15</td><td>16</td><td>17</td><td>18</td><td>19</td></tr> <tr><td>20</td><td>21</td><td>22</td><td>23</td><td>24</td><td>25</td><td>26</td></tr> <tr><td>27</td><td>28</td><td>29</td><td>30</td><td></td><td></td><td></td></tr> </tbody> </table> </div>						S	M	T	W	T	F	S					1	2	3	4	5	6	7	8	9	10	11	12	13	14	15	16	17	18	19	20	21	22	23	24	25	26	27	28	29	30		S	M	T	W	T	F	S			1	2	3	4	5	6	7	8	9	10	11	12	13	14	15	16	17	18	19	20	21	22	23	24	25	26	27	28	29	30				1
S	M	T	W	T	F	S																																																																																				
				1	2	3																																																																																				
4	5	6	7	8	9	10																																																																																				
11	12	13	14	15	16	17																																																																																				
18	19	20	21	22	23	24																																																																																				
25	26	27	28	29	30																																																																																					
S	M	T	W	T	F	S																																																																																				
		1	2	3	4	5																																																																																				
6	7	8	9	10	11	12																																																																																				
13	14	15	16	17	18	19																																																																																				
20	21	22	23	24	25	26																																																																																				
27	28	29	30																																																																																							
2	3	4		5	6	7	8																																																																																			
	<p>1899 - motor-driven vacuum cleaner patented by John S. Thurman (No. 634.042)</p>																																																																																									
9	10	11	12	13	14	15																																																																																				
<p>1855 - first U.S. patent issued for a sewing machine motor to Isaac Merritt Singer (No. 13,661)</p>	<p><b>Columbus Day</b> (Observed)</p>																																																																																									
16	17	18	19	20	21	22																																																																																				
					<p>1833 - Alfred Nobel born</p>																																																																																					
23	24	25	26	27	28	29																																																																																				
	<p>1961 - Lego patented by G.K. Christiansen (No. 3,005,282)</p>																																																																																									
30	31																																																																																									
<p>1888 - ballpoint pen patent issued to John L. Loud (No. 392,046). <span style="color: red;">Daylight Savings Time Ends</span></p>	<p><b>Halloween</b></p>																																																																																									

# Claiborne Patent Law Services

Nov. 17, 1970 D. C. ENGELBART 3,541,541  
X-Y POSITION INDICATOR FOR A DISPLAY SYSTEM  
Filed June 21, 1967 3 Sheets-Sheet 1

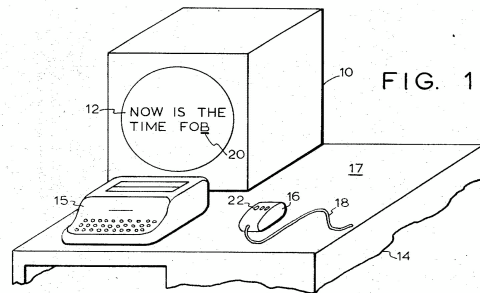


FIG. 1

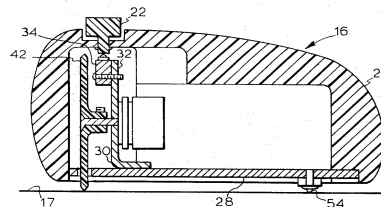


FIG. 2

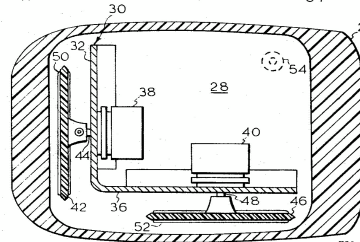


FIG. 3

INVENTOR.  
DOUGLAS C. ENGELBART  
BY *Lindenberg & Friedrich*  
ATTORNEYS

## Computer Mouse

In the 1960s, Douglas Engelbart and a group of visionary colleagues at the Stanford Research Institute developed the NLS (oN Line System), the first truly modern-style computer work station, well adapted to word-processing. Englebart developed a device for the purpose of selecting, moving and manipulating text processed by the NLS. The researchers nick-named the little block with buttons connected to the computer system by a tail-like cable the "mouse".

Not just a pointing tool, the mouse was envisioned from the beginning as an essential component in the system to provide "Human Augmentation", making systems and tools for people to work smarter and better.

Today, Englebart's invention sits on most of the desks in the world, enabling users to deal quickly and effectively with the complexities of modern life.

# November 2011

## Monthly Planner

Sunday	Monday	Tuesday	Wednesday	Thursday	Friday	Saturday																																																																																																										
		<b>1</b> 1879 - Edison files patent application for electric lamp 1880 - Edison files patent application for Electric Lamp	<b>2</b>	<b>3</b> 1892 - First automatic telephone exchange, La Porte Indiana	<b>4</b>	<b>5</b> 1895 - George B. Selden patents a gasoline-driven automobile (No. 549,160)																																																																																																										
<b>6</b> 1923 - patent issued to Col. Jacob Schick for the first electric shaver	<b>7</b>	<b>8</b> 1879, African-American Thomas Elkins patents refrigerating apparatus (No. 221.222)	<b>9</b> 1842 - design patent D1 issued to George Bruce for typefaces (No. D1)	<b>10</b> 1951- Direct dial long distance telephone service begins in U.S.	<b>11</b> Veterans Day	<b>12</b>																																																																																																										
<b>13</b>	<b>14</b> 1765 - Robert Fulton born	<b>15</b> 1887 - patent for dry cell battery to Carl Gassner (No. 373.064)	<b>16</b>	<b>17</b> 1970 - patent issued for computer mouse to Doug Engelbart (No. 3,541,541)	<b>18</b>	<b>19</b> 1872 - first patent for an adding machine issued to E.D. Barbour (No. 133.188).																																																																																																										
<b>20</b> 1923 - patent issued to African-American Garrett Morgan for an automatic traffic signal (No. 473.074)	<b>21</b>	<b>22</b> 1927 - patent to Carl J.E. Eliason for a snowmobile (No. 1,650,334)	<b>23</b> 1897 - patent issued to black American inventor, John Lee Love, for a pencil sharpener (No. 594,114)	<b>24</b> 1874 - patent to Joseph F. Glidden for barbed wire (No. 157,124)  <b>Thanksgiving</b>	<b>25</b>	<b>26</b>																																																																																																										
<b>27</b>	<b>28</b>	<b>29</b>	<b>30</b> 1858 - Patent issued to John Landis Mason for fruit jar - the Mason jar (No. 22.186).	<table border="1" style="margin: auto; border-collapse: collapse;"> <thead> <tr> <th colspan="7">Oct 2005</th> </tr> <tr> <th>S</th> <th>M</th> <th>T</th> <th>W</th> <th>T</th> <th>F</th> <th>S</th> </tr> </thead> <tbody> <tr> <td></td> <td></td> <td></td> <td></td> <td></td> <td></td> <td style="text-align: center;">1</td> </tr> <tr> <td style="text-align: center;">2</td> <td style="text-align: center;">3</td> <td style="text-align: center;">4</td> <td style="text-align: center;">5</td> <td style="text-align: center;">6</td> <td style="text-align: center;">7</td> <td style="text-align: center;">8</td> </tr> <tr> <td style="text-align: center;">9</td> <td style="text-align: center;">10</td> <td style="text-align: center;">11</td> <td style="text-align: center;">12</td> <td style="text-align: center;">13</td> <td style="text-align: center;">14</td> <td style="text-align: center;">15</td> </tr> <tr> <td style="text-align: center;">16</td> <td style="text-align: center;">17</td> <td style="text-align: center;">18</td> <td style="text-align: center;">19</td> <td style="text-align: center;">20</td> <td style="text-align: center;">21</td> <td style="text-align: center;">22</td> </tr> <tr> <td style="text-align: center;">23</td> <td style="text-align: center;">24</td> <td style="text-align: center;">25</td> <td style="text-align: center;">26</td> <td style="text-align: center;">27</td> <td style="text-align: center;">28</td> <td style="text-align: center;">29</td> </tr> <tr> <td style="text-align: center;">30</td> <td style="text-align: center;">31</td> <td></td> <td></td> <td></td> <td></td> <td></td> </tr> </tbody> </table>		Oct 2005							S	M	T	W	T	F	S							1	2	3	4	5	6	7	8	9	10	11	12	13	14	15	16	17	18	19	20	21	22	23	24	25	26	27	28	29	30	31						<table border="1" style="margin: auto; border-collapse: collapse;"> <thead> <tr> <th colspan="7">Dec 2005</th> </tr> <tr> <th>S</th> <th>M</th> <th>T</th> <th>W</th> <th>T</th> <th>F</th> <th>S</th> </tr> </thead> <tbody> <tr> <td></td> <td></td> <td></td> <td></td> <td style="text-align: center;">1</td> <td style="text-align: center;">2</td> <td style="text-align: center;">3</td> </tr> <tr> <td style="text-align: center;">4</td> <td style="text-align: center;">5</td> <td style="text-align: center;">6</td> <td style="text-align: center;">7</td> <td style="text-align: center;">8</td> <td style="text-align: center;">9</td> <td style="text-align: center;">10</td> </tr> <tr> <td style="text-align: center;">11</td> <td style="text-align: center;">12</td> <td style="text-align: center;">13</td> <td style="text-align: center;">14</td> <td style="text-align: center;">15</td> <td style="text-align: center;">16</td> <td style="text-align: center;">17</td> </tr> <tr> <td style="text-align: center;">18</td> <td style="text-align: center;">19</td> <td style="text-align: center;">20</td> <td style="text-align: center;">21</td> <td style="text-align: center;">22</td> <td style="text-align: center;">23</td> <td style="text-align: center;">24</td> </tr> <tr> <td style="text-align: center;">25</td> <td style="text-align: center;">26</td> <td style="text-align: center;">27</td> <td style="text-align: center;">28</td> <td style="text-align: center;">29</td> <td style="text-align: center;">30</td> <td style="text-align: center;">31</td> </tr> </tbody> </table>		Dec 2005							S	M	T	W	T	F	S					1	2	3	4	5	6	7	8	9	10	11	12	13	14	15	16	17	18	19	20	21	22	23	24	25	26	27	28	29	30	31
Oct 2005																																																																																																																
S	M	T	W	T	F	S																																																																																																										
						1																																																																																																										
2	3	4	5	6	7	8																																																																																																										
9	10	11	12	13	14	15																																																																																																										
16	17	18	19	20	21	22																																																																																																										
23	24	25	26	27	28	29																																																																																																										
30	31																																																																																																															
Dec 2005																																																																																																																
S	M	T	W	T	F	S																																																																																																										
				1	2	3																																																																																																										
4	5	6	7	8	9	10																																																																																																										
11	12	13	14	15	16	17																																																																																																										
18	19	20	21	22	23	24																																																																																																										
25	26	27	28	29	30	31																																																																																																										

# Claiborne Patent Law Services

Dec. 31, 1935.

C. B. DARROW

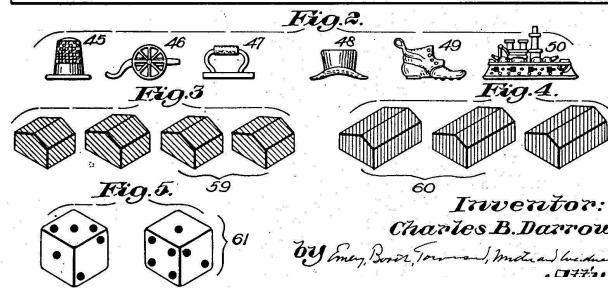
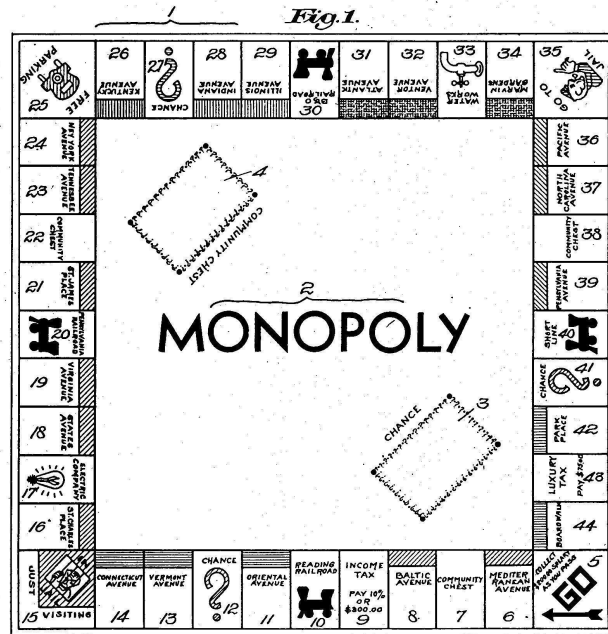
2,026,082

BOARD GAME APPARATUS

Filed Aug. 31, 1935

7 Sheets-Sheet 1

## Monopoly



In 1934, Charles B. Darrow from Germantown, Pennsylvania showed executives of Parker Brothers his newly invented game, Monopoly. The game company rejected it ("for 52 design errors!") and Darrow produced and sold the game on his own. The game was instantly successful, with Darrow selling 5,000 sets to one Philadelphia department store alone.

Unable to keep up with demand, Darrow returned to Parker Brothers, who bought the game. In 1935, Monopoly was the best-selling game of the year.

Since then, over 200 million Monopoly games have been sold world-wide, and more than a half-billion people have played it. Monopoly is now owned by Hasbro, Inc.

Monopoly®, the distinctive design of the game board, the four corner squares, as well as each of the distinctive elements of the board and the playing pieces are trademarks of Hasbro, inc. for its real estate trading game and game equipment. ©1935, 1936, 1947, 1951, 1952, 1954, 1961, 1973, 1994, 1995, 1996, 1997 Hasbro, Inc.

# December 2011

## Monthly Planner

Sunday	Monday	Tuesday	Wednesday	Thursday	Friday	Saturday																																																																																				
<table border="1" style="margin: auto; border-collapse: collapse;"> <caption>Nov 2005</caption> <thead> <tr><th>S</th><th>M</th><th>T</th><th>W</th><th>T</th><th>F</th><th>S</th></tr> </thead> <tbody> <tr><td></td><td></td><td>1</td><td>2</td><td>3</td><td>4</td><td>5</td></tr> <tr><td>6</td><td>7</td><td>8</td><td>9</td><td>10</td><td>11</td><td>12</td></tr> <tr><td>13</td><td>14</td><td>15</td><td>16</td><td>17</td><td>18</td><td>19</td></tr> <tr><td>20</td><td>21</td><td>22</td><td>23</td><td>24</td><td>25</td><td>26</td></tr> <tr><td>27</td><td>28</td><td>29</td><td>30</td><td></td><td></td><td></td></tr> </tbody> </table>		S	M	T	W	T	F	S			1	2	3	4	5	6	7	8	9	10	11	12	13	14	15	16	17	18	19	20	21	22	23	24	25	26	27	28	29	30				<table border="1" style="margin: auto; border-collapse: collapse;"> <caption>Jan 2006</caption> <thead> <tr><th>S</th><th>M</th><th>T</th><th>W</th><th>T</th><th>F</th><th>S</th></tr> </thead> <tbody> <tr><td>1</td><td>2</td><td>3</td><td>4</td><td>5</td><td>6</td><td>7</td></tr> <tr><td>8</td><td>9</td><td>10</td><td>11</td><td>12</td><td>13</td><td>14</td></tr> <tr><td>15</td><td>16</td><td>17</td><td>18</td><td>19</td><td>20</td><td>21</td></tr> <tr><td>22</td><td>23</td><td>24</td><td>25</td><td>26</td><td>27</td><td>28</td></tr> <tr><td>29</td><td>30</td><td>31</td><td></td><td></td><td></td><td></td></tr> </tbody> </table>		S	M	T	W	T	F	S	1	2	3	4	5	6	7	8	9	10	11	12	13	14	15	16	17	18	19	20	21	22	23	24	25	26	27	28	29	30	31					<b>1</b>  1936 - patent for hydroponics to Brundin and Lyon (No. 2,062,755)	<b>2</b>	<b>3</b>  1903 - John von Neumann born
S	M	T	W	T	F	S																																																																																				
		1	2	3	4	5																																																																																				
6	7	8	9	10	11	12																																																																																				
13	14	15	16	17	18	19																																																																																				
20	21	22	23	24	25	26																																																																																				
27	28	29	30																																																																																							
S	M	T	W	T	F	S																																																																																				
1	2	3	4	5	6	7																																																																																				
8	9	10	11	12	13	14																																																																																				
15	16	17	18	19	20	21																																																																																				
22	23	24	25	26	27	28																																																																																				
29	30	31																																																																																								
<b>4</b>	<b>5</b>	<b>6</b>  1945 - Microwave oven patented	<b>7</b>  1889 - pneumatic tire patented by John Boyd Dunlap	<b>8</b>  1765 - Eli Whitney born	<b>9</b>  1906 - computer pioneer Grace Murray Harper born	<b>10</b>  1815 - Countess Augusta Ada King Lovelace born																																																																																				
<b>11</b>	<b>12</b>	<b>13</b>	<b>14</b>	<b>15</b>	<b>16</b>	<b>17</b>  1903 - First powered flight by the Wright brothers																																																																																				
<b>18</b>	<b>19</b>	<b>20</b>	<b>21</b>  <span style="color: red;">Winter begins</span>	<b>22</b>	<b>23</b>	<b>24</b>																																																																																				
<b>25</b>  <span style="color: red;">Christmas</span>	<b>26</b>  1791 - Charles Babbage born	<b>27</b>	<b>28</b>  1869 - William Finley Semple patents chewing gum (No. 98.304).	<b>29</b>  1800 - Charles Goodyear born	<b>30</b>	<b>31</b>  1935 - patent issues for the game of Monopoly by Charles Darrow (No. 2,026,082).  <span style="color: red;">New Year's Eve</span>																																																																																				